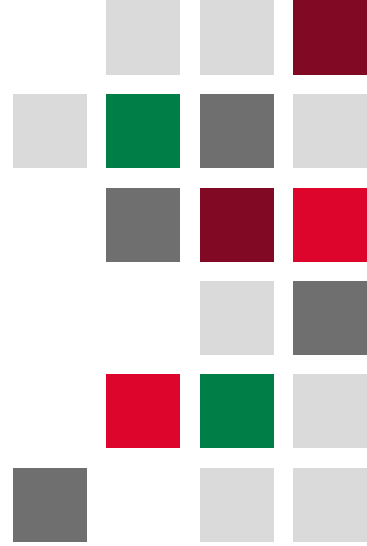


EXIDOR

ASSA ABLOY



NEW!

OUTSIDE ACCESS DEVICE RANGE

Exidor's new outside access devices are a stylish addition to the range and are designed to work with our 200, 300, 400 and 500 series exit hardware.

Elegant in design, the new OADs feature either lever or knob operation. The knob and levers are completely interchangeable, so if the needs of a site change, the operating knob or lever can be removed from the unit and replaced with the alternative.

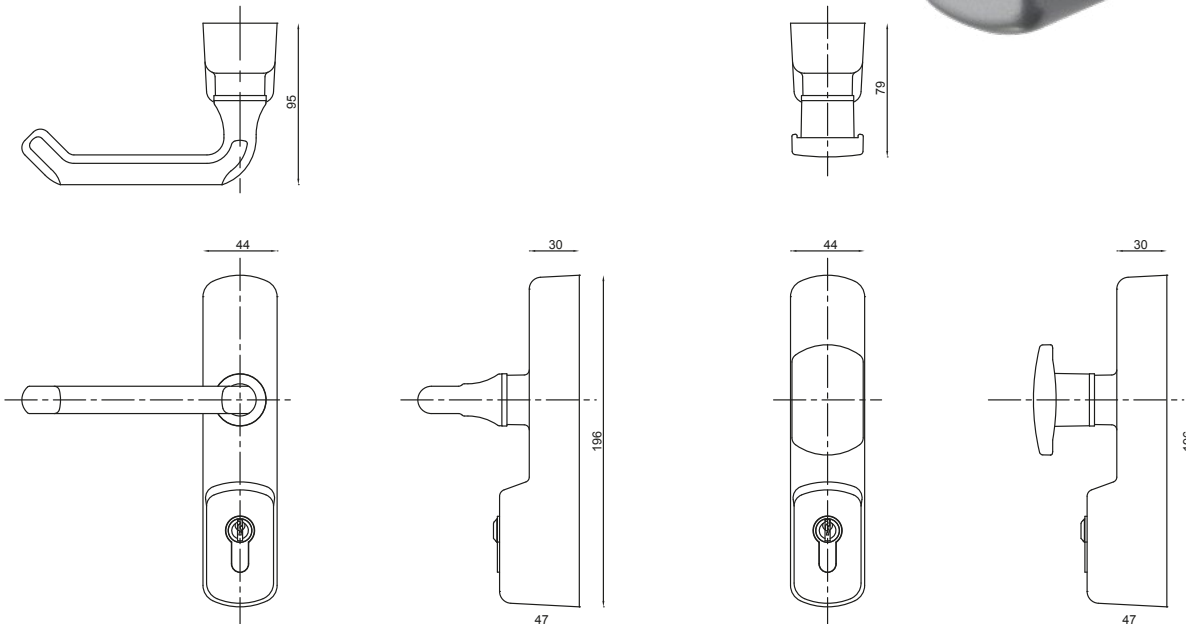
The OADs can be supplied with or without a 45mm single euro profile cylinder allowing flexibility where master keying is required.

Smart options are also available including a key retention model or being supplied as keyed alike.



MADE IN BRITAIN

All measurements in mm



325/425/525 - Lever versions

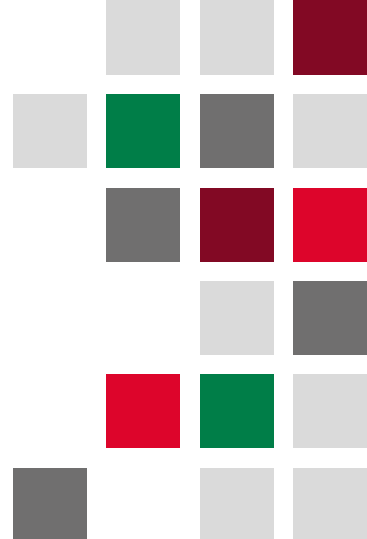
326/426/526 - Knob versions

Each OAD can be ordered to complement the exit hardware ranges 200/300, 400 or 500 series and are all supplied with the correct fittings to suit.

- Non-handed
- Designed to work with Exidor's 200/300, 400 or 500 series exit hardware
- Lever or knob operation
- Interchangeable knob and lever
- Lever meets the dimensional requirements of BS8300
- Cylinder version supplied with 3 keys
- Powder coated for durability
- Fixings to suit steel, timber, aluminium or uPVC doors

Supplied as standard to suit:

- 200/300 Series - doors up to 65mm thick (longer fixings available)
- 400 Series - doors up to 57mm thick (longer fixings available)
- 500 Series - doors up to 62mm thick



Performance

When locked the knob or lever is disengaged from the mechanism and still rotates therefore preventing unauthorised entry and damage to the unit. When unlocked the operator, spindle and mechanism engage, allowing the internal hardware's locking point(s) to be withdrawn from the outside of the door. The knob or lever remains engaged until the mechanism is re-locked.

Finishes

Available as standard in silver, white or black, there is also a choice of RAL colours and plated finishes (please note: plated finishes are not generally recommended on outside access devices, unless being used on an internal route).

PRODUCT CODE	PRODUCT RANGE			OPERATION		CYLINDER	
	200/300 SERIES	400 SERIES	500 SERIES	LEVER	KNOB	WITH EURO CYLINDER	WITHOUT CYLINDER
325EC	•			•		•	
325EA	•			•			•
326EC	•				•	•	
326EA	•				•		•
425EC		•		•		•	
425EA		•		•			•
426EC		•			•	•	
426EA		•			•		•
525EC			•	•		•	
525EA			•	•			•
526EC			•		•	•	
526EA			•		•		•

Suffix code with '/RK' for key retention model. Suffix code with '/KA' for keyed alike option

Contact your Area Sales Manager or Exidor sales office to discuss your requirements.



Experience a safer and more open world

+44 (0)1543 578661
 sales@exidor.co.uk
 www.exidor.co.uk