

700 Series Outside Access Devices

All the Exidor 700 series Outside Access Devices (OAD's) have been certified for use with the Exidor 700 series range of high security panic and emergency exit hardware. The use of any other OAD will invalidate the CE marking on these products.

709 Knob Operated Outside Access Device

The Exidor 709 is supplied either with or without cylinder, and has the advantage that a high security master keyed 45mm half Euro profile cylinder can be used. Suitable for use with the Exidor 700 series, this OAD is manufactured from stainless steel which helps prevent force and drill attack, and incorporates cylinder protection to prevent manipulation.

- Non-handed
- Suitable for high security applications
- Surface mounted on the outside of the door using concealed machine screws
- Available with or without cylinder
- When ordered with the cylinder, three keys are supplied as standard
- Supplied as standard for doors up to 45mm thick
- Longer spindles available on request for door thicknesses over 45mm



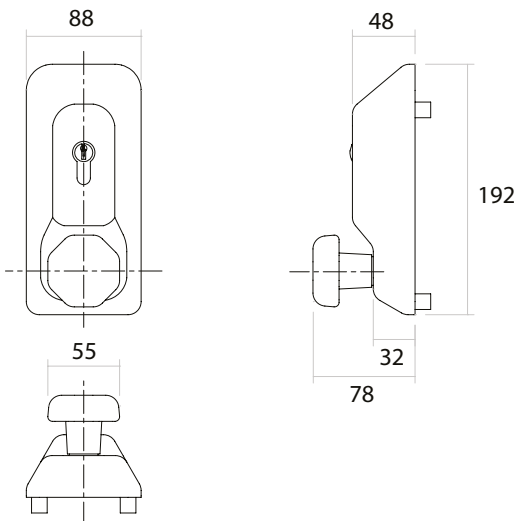
709EC

Performance

When locked, the mechanism is disengaged allowing the knob to rotate freely. When unlocked, the knob, spindle and mechanism engage allowing the bolts to be withdrawn from the outside. The knob remains engaged until it is re-locked.



709EC/NC



All measurements in mm

Finishes

Available in RAL 7016 and Solid Stainless Steel. Other finishes available on request.

710 Lever Operated Outside Access Device

The Exidor 710 is supplied either with or without cylinder, and has the advantage that a high security master keyed 45mm half Euro profile cylinder can be used. Suitable for use with the Exidor 700 series, this OAD is manufactured from stainless steel which helps prevent force and drill attack, and incorporates cylinder protection to prevent manipulation.

- Non-handed
- Meets the dimensional requirements of BS8300 and approved Document "M" (Equality Act)
- Suitable for high security applications
- Surface mounted on the outside of the door using concealed machine screws
- Available with or without cylinder
- When ordered with the cylinder, three keys are supplied as standard
- Supplied as standard for doors up to 45mm thick
- Longer spindles available on request for door thicknesses over 45mm



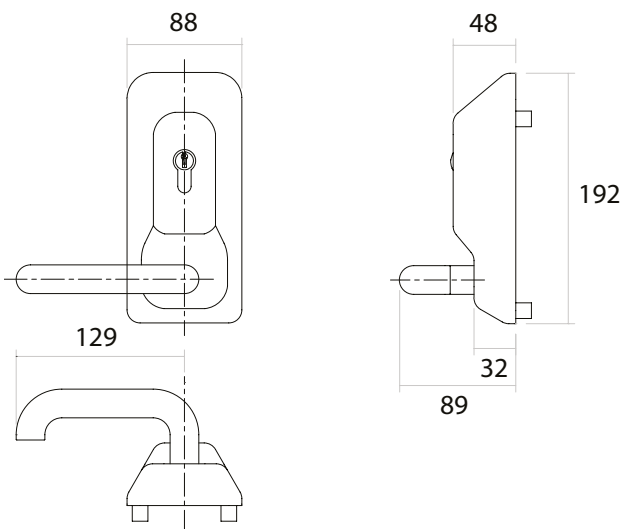
710EC

Performance

When locked, the mechanism is disengaged allowing the lever to move freely. When unlocked, the lever, spindle and mechanism engage allowing the bolts to be withdrawn from the outside. The lever remains engaged until it is re-locked.



710EC/NC



All measurements in mm

Finishes

Available in RAL 7016 and Solid Stainless Steel. Other finishes available on request.