

In the unlocked position this product meets all the requirements of EN179 and EN1125 when fitted to panic and emergency hardware. However, when locked it will invalidate the CE marking of the panic hardware. Please check with local laws and fire authorities to ensure compliance with local requirements and ensure a safe system of work is in place.

### 705 Locking Box

The Exidor 705 locking box allows the Exidor 700 series range of heavy duty panic, emergency and high security locking products to be deadlocked. This enhances the security of the products from outside the door and also ensures that the door cannot be opened, even if being attacked from the inside. The locking box has both anti drill and anti force plates incorporated into its design to increase security, has the option of using a 40mm half Euro profile cylinder, an offset Euro profile double cylinder or an offset Euro profile thumbturn cylinder and comes complete with a back plate to ensure easy installation. There is also a visual indicator to show if it's locked or unlocked. Please note that this product is handed according to the illustrations on page 27.

#### Performance

Turning the key will engage the locking box and ensure that the Exidor 700 series bolts are deadlocked and cannot be opened by depressing the lever or the bar. A red indicator panel shows that the locking box is in the locked status. The key is required to unlock the mechanism and the indicator panel will now show white to indicate that the 700 series bolts are active.



705 EC/RH

**705EC/LH** Locking box with 40mm Euro profile half cylinder – left handed

**705EC/RH** Locking box with 40mm Euro profile half cylinder – right handed

**705EA/LH** Locking box with 40mm Euro profile half cylinder aperture – left handed

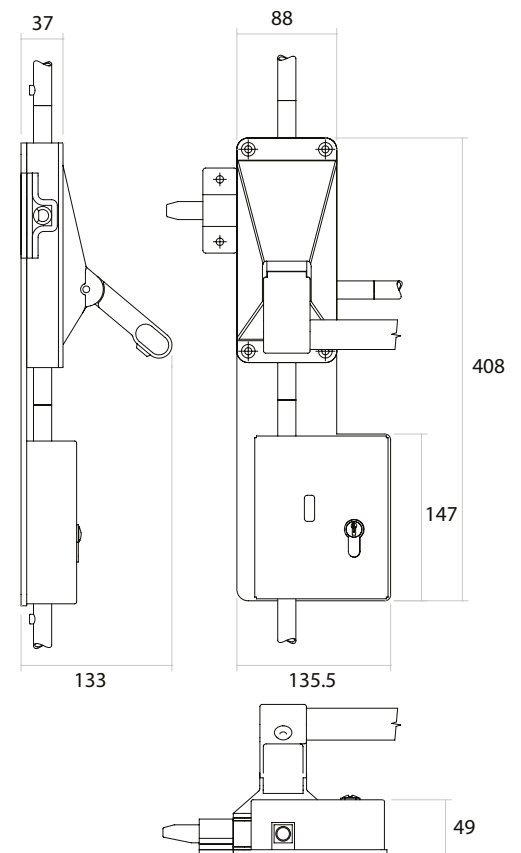
**705EA/RH** Locking box with 40mm Euro profile half cylinder aperture – right handed

**705TC/LH** Locking box with security escutcheon, with an offset Euro profile double cylinder – left handed

**705TC/RH** Locking box with security escutcheon, with an offset Euro profile double cylinder – right handed

**705TA/LH** Locking box with security escutcheon, suitable for use with an offset Euro profile double cylinder, (not supplied) – left handed

**705TA/RH** Locking box with security escutcheon, suitable for use with an offset Euro profile double cylinder, (not supplied) – right handed



All measurements in mm

### 707 Heavy Duty Escutcheon

The Exidor 707 high security escutcheon is designed for use with the 705 range of locking boxes. It is fitted over the Euro profile cylinder used with these products and offers protection against a physical attack on the outside of the door. Manufactured from hardened steel, the 707 is concealed fixed by bolting through from the locking box and provides protection against drilling.



## Heavy Duty Tower Bolts

Epoxy powder coated with electro galvanised 19mm diameter steel shoot bolts, the heavy duty tower bolt range is designed to complement the Exidor 700 series high security bolts and panic and emergency hardware.

Ranging from 10" to 36" in length, the bolts are suitable for both steel and timber door applications and there is a full range of keeps available.

Heavy duty hexagonal head screw bolts are supplied for fixing

**HS923/10** 10" heavy duty tower bolt with standard keep for steel or timber flush doors and frames

**HS924/10** 10" heavy duty tower bolt with angled keep to suit outward opening doors with a timber frame and a 12mm recess

**HS925/10** 10" heavy duty tower bolt with angled keep to suit outward opening doors with a timber frame and a 19mm recess

**HS926/10** 10" heavy duty tower bolt with keep to suit inward opening doors with a timber frame

**HS923/36** 36" heavy duty tower bolt with standard keep for steel or timber flush doors and frames

## Heavy Duty Tower Bolt Keeps

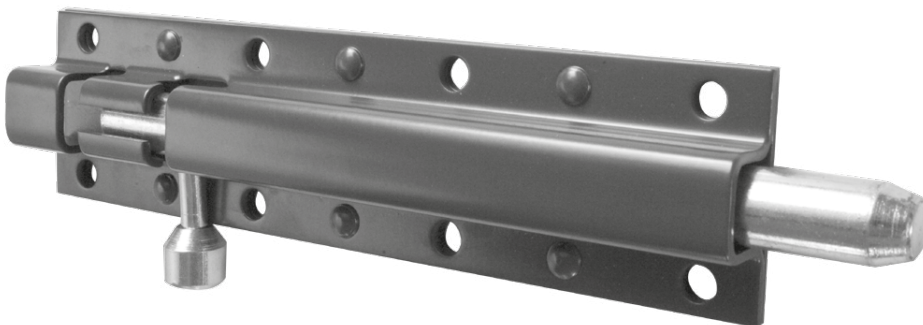
**PHS001** Standard keep to suit steel or timber flush doors and frames

**PHS002** Angled keep to suit outward opening doors with timber frames and a 12mm recess

**PHS003** Angled keep to suit outward opening doors with timber frames and a 19mm recess

**PHS004** Keep to suit inward opening doors with a timber frame

**PHS005** Flat floor keep



Heavy Duty Tower Bolt