

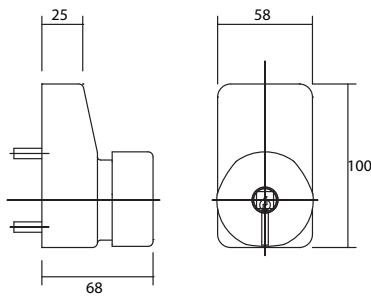
## 400 Series Outside Access Devices

All the Exidor 400 series OADs have been certified for use with the Exidor 400 range of bolts and latches. The use of any other OAD will invalidate the CE marking on these products.

### 409 Knob Operated Outside Access Devices

The Exidor 409 is an economical OAD supplied with 2 keys and a 5 pin cylinder which cannot be changed or master keyed. Suitable for use with the Exidor 400 series touch bar range, the 409 offers access from the outside of the door

- Non-handed
- Fire rated for use on timber and steel doors
- Surface mounted on the outside of the door using concealed machine screws
- Supplied as standard for doors up to 60mm thick
- Longer spindles and screws are available on request for door thicknesses over 60mm.



409

### 410 Lever Operated Outside Access Device

The Exidor 410 offers a lever operated outside access device that meets the dimensional requirements of the Equality Act 2010 (formerly known as the DDA) and BS8300 – Approved Document “M”.

The 410 is supplied with three keys, and has the advantage that a master keyed 40mm Euro profile cylinder can be used. Suitable for use with the Exidor 400 series, the 410 offers access from the outside of the door.

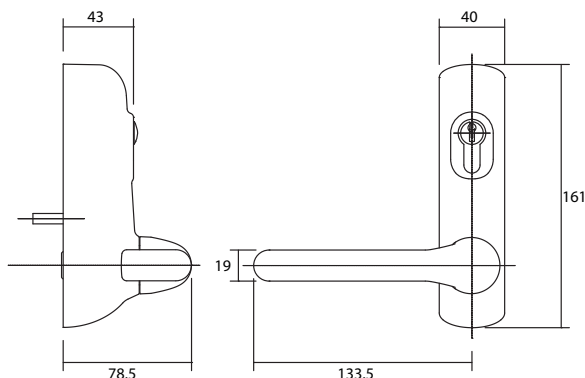
- Non-handed
- Meets the dimensional requirements of BS8300 and approved document “M”
- Surface mounted on the outside of the door using two/three machine screws
- Same fixing points as the 411 – easy retro fit
- Supplied as standard for doors up to 55mm thick

#### Performance

When locked, the lever is disengaged from the mechanism and still rotates therefore preventing unauthorised entry and damage to the unit. When unlocked, the lever, spindle and mechanism engage allowing the Pullman latches to be withdrawn from the outside of the door. The lever remains engaged until the mechanism is re-locked.

#### Finishes

Available as standard in silver, white or black, there is also a choice of RAL colours (see page 5).



410

#### Options available

- 410EC Lever operated OAD with Euro cylinder
- 410EA Lever operated OAD with Euro profile aperture
- 410OC Lever operated OAD with oval cylinder
- 410OA Lever operated OAD with oval aperture

## 411 Knob Operated Outside Access Device

The Exidor 411 offers a knob operated outside access device that is supplied with three keys and has the advantage that a master keyed 40mm Euro profile cylinder can be used. Suitable for use with the Exidor 400 series, the 411 offers access from the outside of the door.

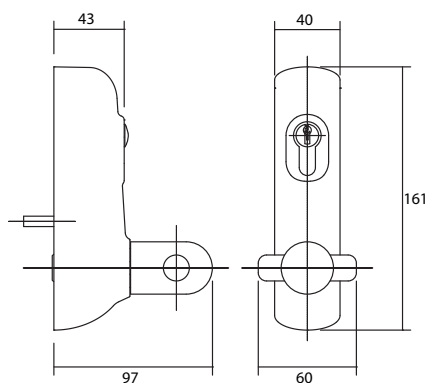
- Non-handed
- Surface mounted on the outside of the door using two/three machine screws
- Same fixing points as the 410 – easy retro fit
- Supplied as standard for doors up to 55mm thick

### Performance

When locked, the knob is disengaged from the mechanism and still rotates therefore preventing unauthorised entry and damage to the unit. When unlocked, the knob, spindle and mechanism engage allowing the Pullman latches to be withdrawn from the outside of the door. The knob remains engaged until the mechanism is re-locked.

### Finishes

Available as standard in silver, white or black, there is also a choice of RAL colours (see page 5).



## Mechanical Push Button Outside Access Devices

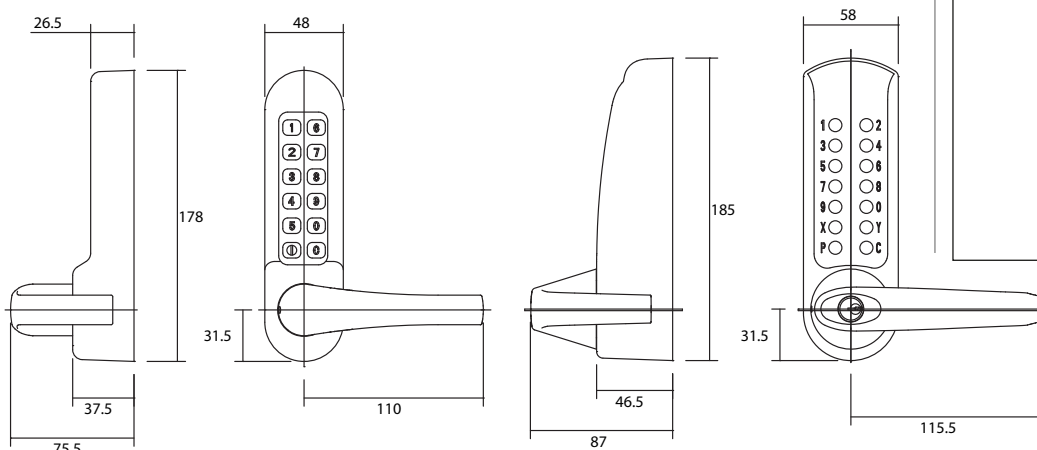
### CL1 Push Button Mechanical Code Lock

### CL2 Push Button Mechanical Code Lock with Passage Function

### CL3 Quick Code Mechanical Code Lock

(Code can be changed without removing the unit)

- 1,584 different codes available
- Non handed
- Reversible safety lever
- Surface mounted using concealed screws
- Clutch protection on the outside lever
- Supplied with spindles for doors from 35mm to 60mm thick
- PVD weather resistant finish
- Available in stainless steel or brass finishes



411

### Options available

- 411EC Knob operated OAD with Euro cylinder
- 411EA Knob operated OAD with Euro profile aperture
- 411OC Lever operated OAD with oval cylinder
- 411OA Lever operated OAD with oval aperture



CL1 / CL2



CL3