

# Non-Rebated Double Doors 284 | 316

BS EN 1125



FOUR POINT LOCKING



## 284 Double Door Set for Non-Rebated Double Doors

Classification No.	3	7	6	B	1	3	2	2	A	A
EN 1125 : 2008										

The Exidor 284 for non-rebated double doors is a complete package consisting of two single panic bolts (294).

- Non-handed
- Fire rated for use on timber and steel doors
- Surface mounted
- Closed arm design

## 316 Double Door Set for Non-Rebated Double Doors

Classification No.	3	7	6	B	1	3	2	2	A	A
EN 1125 : 2008										

The Exidor 316 for non-rebated double doors is a complete package consisting of two panic bolts with vertical Pullman latches (311).

- Non-handed
- Fire rated for use on timber and steel doors
- Surface mounted
- Closed arm design



### Standard sizes

Standard size panic bolts are suitable for single doors up to 1220mm wide and 2440mm high. Special sizes are available on request.

### Additional options

The Exidor reversible panic bolts can be supplied with:

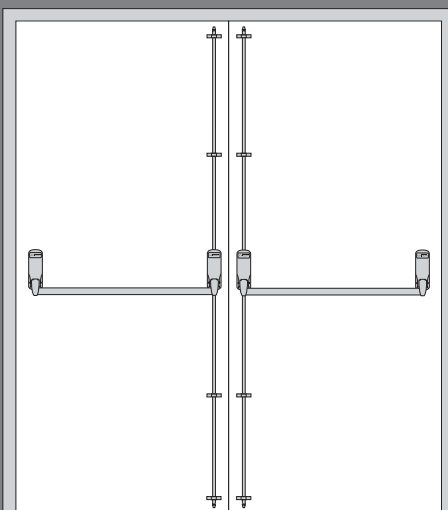
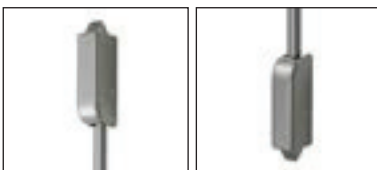
- Adjustable shoots (suffix 'A' after the product code - 284 only)
- Steel door fixings (suffix 'SD' after the product code)
- Microswitch (suffix 'MS' after the product code)

### Optional accessories for all the non-rebated double door sets

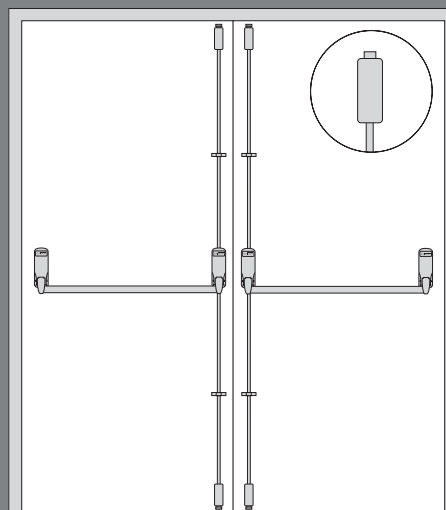
- 298 Outside access device - knob operated
- 302EA Outside access device with Euro aperture - knob operated
- 302EC Outside access device with Euro cylinder - knob operated
- 302OA Outside access device with oval aperture - knob operated
- 302OC Outside access device with oval cylinder - knob operated
- 322EA Outside access device with Euro aperture - lever operated
- 322EC Outside access device with Euro cylinder - lever operated
- 304 Exit alarm
- 299 Dogging device

Exidor threshold seal ES1 can be fitted as an alternative to the floor keep, Exidor adjustable shoots must be used. Please suffix CB on the product code. i.e 293A/CB (See Exidor Door Seal Range leaflet for details).

Vertical Pullman Latches



284



316